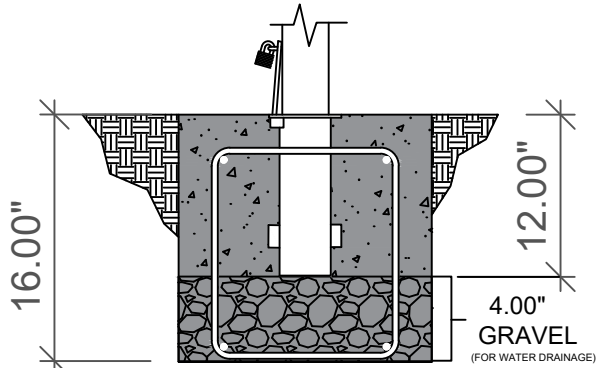


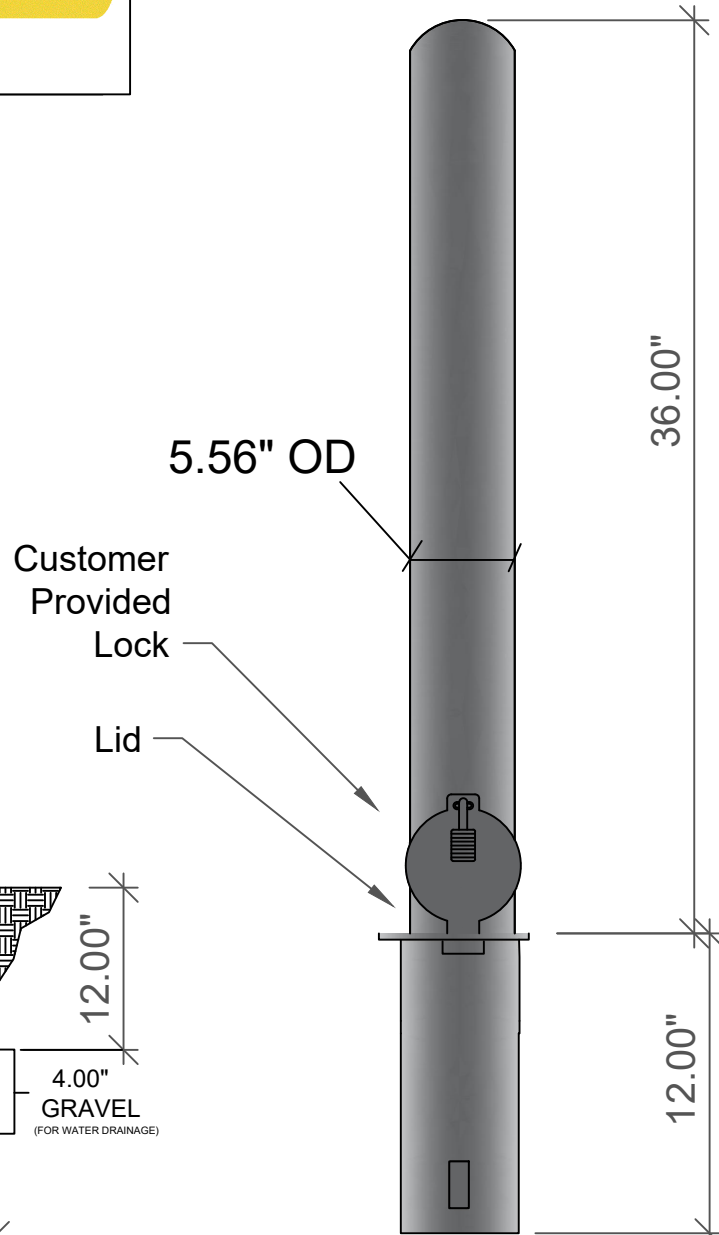
1-800-BOLLARDS

The Bollard Experts

- SELECT DESIRED MATERIAL:
(5" NOMINAL SIZE)
- RPSS05000 SCH 10 STAINLESS STEEL
 RPSS05040 SCH 40 STAINLESS STEEL
 RPSS05080 SCH 80 STAINLESS STEEL
 RPCS05040 SCH 40 ASTM A-53 CARBON STEEL
 RPCS05080 SCH 80 ASTM A-53 CARBON STEEL
- SELECT DESIRED STAINLESS STEEL BOLLARD FINISH:
- POLISHED #4 FINISH
 AS SPECIFIED _____
- SELECT DESIRED CARBON STEEL BOLLARD FINISH:
- POWDER COAT RAL # _____
 AS SPECIFIED _____
- SELECT DESIRED STAINLESS STEEL BOLLARD MATERIAL:
- TYPE 304
 TYPE 316
- SELECT DESIRED BOLLARD CAP STYLE:
- DOME (SHOWN)
 STANDARD FLAT
 REVEAL
 SLOPED



END VIEW - FOUNDATION

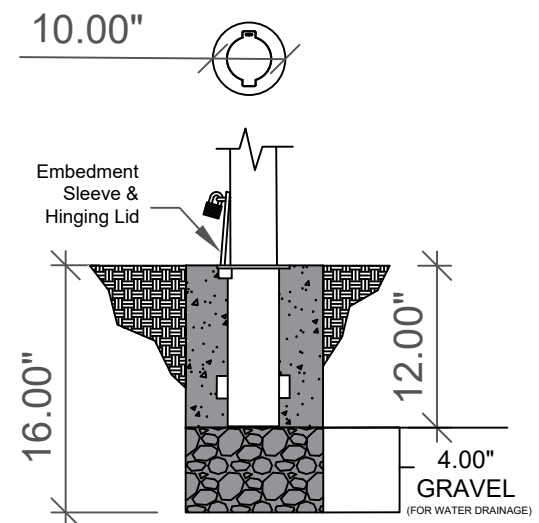


5.56" OD

Customer Provided Lock

Lid

REVISIONS			
LTR	DESCRIPTION	DATE	APP'VD
COMMENTS			
SPECIFICATIONS			
HEIGHT: 36"			
DIAMETER: 5.56"			
WALL THICKNESS: 0.280" SCHED 40			



DOME (SHOWN) STANDARD FLAT REVEAL SLOPED



NOTES:
1. INSTALLATION TO BE COMPLETED IN ACCORDANCE WITH MANUFACTURER'S SPECIFICATIONS.
2. DO NOT SCALE DRAWING.
3. THIS DRAWING IS INTENDED FOR USE BY ARCHITECTS, ENGINEERS, CONTRACTORS, CONSULTANTS AND DESIGN PROFESSIONALS FOR PLANNING PURPOSES ONLY. THIS DRAWING MAY NOT BE USED FOR CONSTRUCTION.
4. ALL INFORMATION CONTAINED HEREIN WAS CURRENT AT THE TIME OF DEVELOPMENT BUT MUST BE REVIEWED AND APPROVED BY THE PRODUCT MANUFACTURER TO BE CONSIDERED ACCURATE.
5. CONTRACTOR NOTE: FOR PRODUCT AND COMPANY INFORMATION VISIT www.CadSoft.com/info AND ENTER REFERENCE NUMBER 0548-027

APPLICATION			
NEXT ASSY	USED ON		

SERIES NUMBER: YX-S060-XX	CAGE CODE: 6NGJB	REV: 6	DRAWING NUMBER: 6in Cutsheet Size A - R1
PRODUCT FAMILY: FIXED BOLLARD	DRAWN BY: AJA		
PRODUCT CLASS: STANDARD OR CUSTOMER DEFINED	CHECKED BY: AJA		
PRODUCT LINE: BOLLARD	APPROVED BY: [Signature]		
PRODUCT SUB LINE: PADLOCK REMOVABLE	SHEET: 1 OF 1		
1-800-BOLLARDS, Inc. 10 Hughes Suite A105 Irvine, CA 92618 PHONE: 1-800-BOLLARDS WEB: www.1800BOLLARDS.COM EMAIL: info@1800BOLLARDS.COM			TITLE: BOLLARD, PADLOCK REMOVABLE